



ARISTON

## SPARE PARTS EXPLODED VIEW GAS-WALL CONDENSING BOILERS

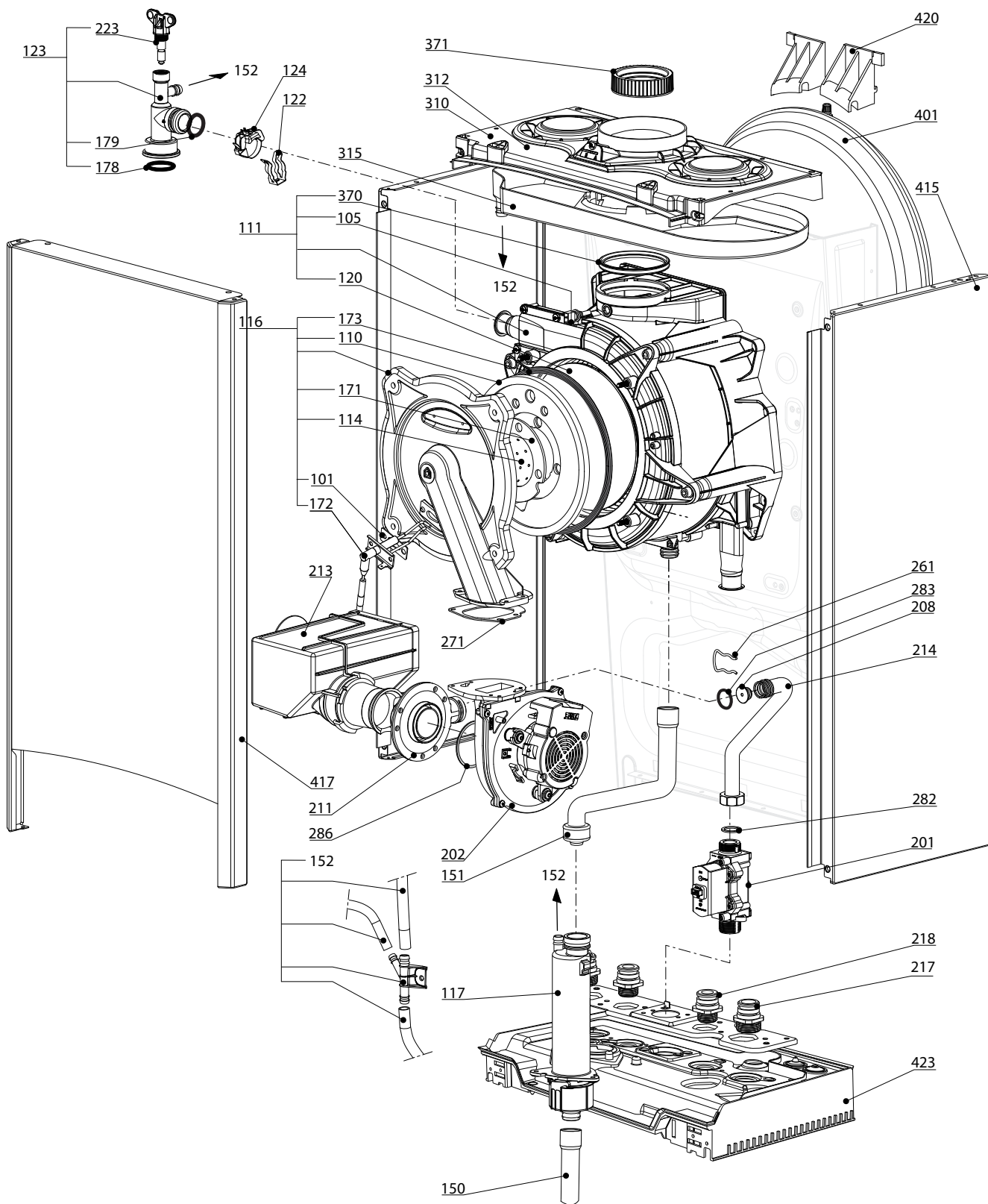
Model

### ALTEAS ONE - GENUS ONE

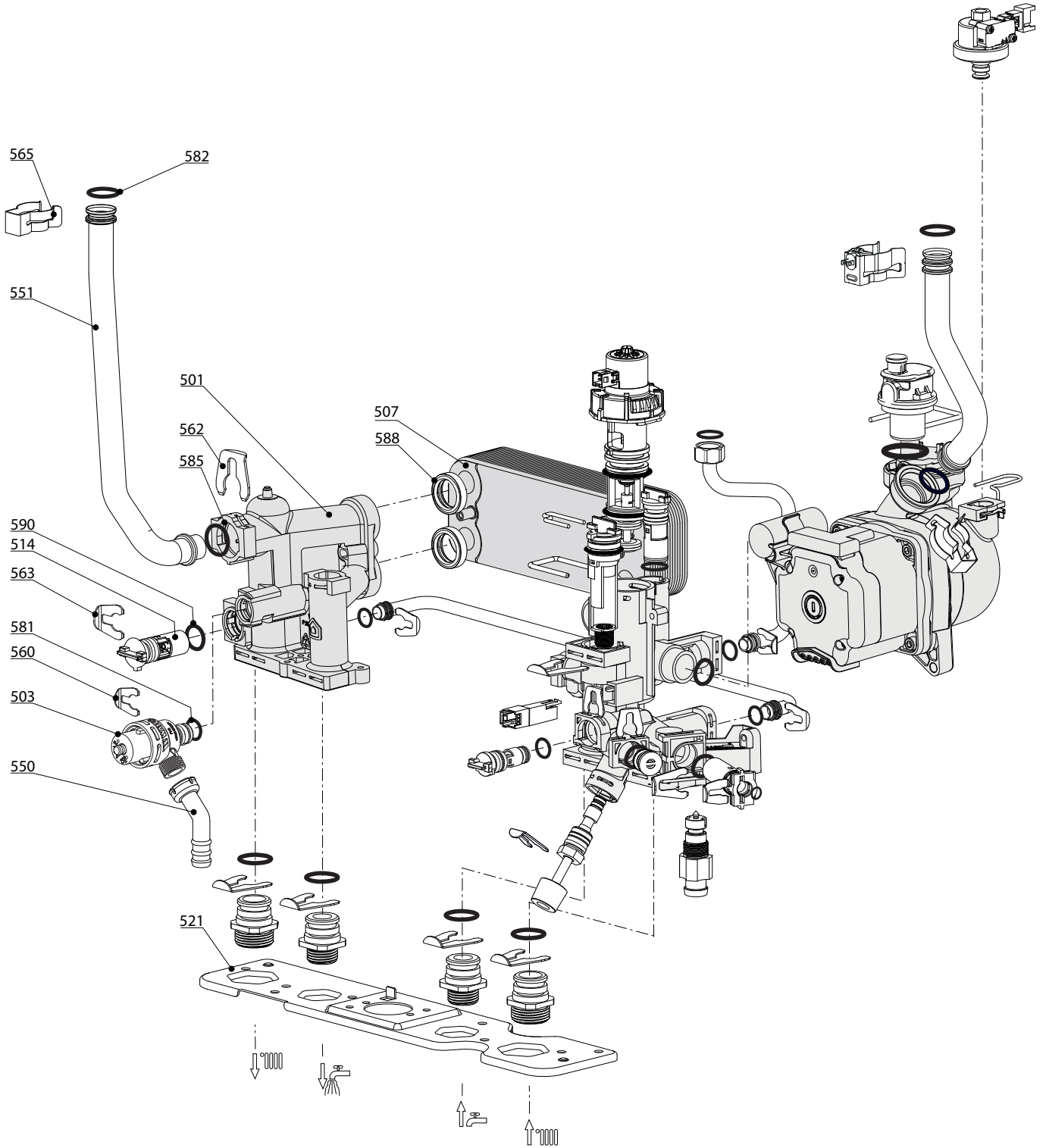
R8203485-03 - 28/09/2017

|    |         |                     |         |   |
|----|---------|---------------------|---------|---|
| 1  | 3301058 | ALTEAS ONE NET 24   | 07-2017 | - |
| 2  | 3301059 | ALTEAS ONE NET 30   | 07-2017 | - |
| 3  | 3301060 | ALTEAS ONE NET 35   | 07-2017 | - |
| 4  | 3301018 | GENUS ONE 24        | 07-2017 | - |
| 4  | 3301113 | GENUS ONE NET 24    | 07-2017 | - |
| 5  | 3301019 | GENUS ONE 30        | 07-2017 | - |
| 5  | 3301114 | GENUS ONE NET 30    | 07-2017 | - |
| 6  | 3301020 | GENUS ONE 35        | 07-2017 | - |
| 6  | 3301115 | GENUS ONE NET 35    | 07-2017 | - |
| 7  | 3301025 | GENUS ONE SYSTEM 12 | 07-2017 | - |
| 8  | 3301026 | GENUS ONE SYSTEM 18 | 07-2017 | - |
| 9  | 3301027 | GENUS ONE SYSTEM 24 | 07-2017 | - |
| 10 | 3301028 | GENUS ONE SYSTEM 30 | 07-2017 | - |
| 11 | 3301029 | GENUS ONE SYSTEM 35 | 07-2017 | - |

| Col | Reference | Model type | Begin | End |
|-----|-----------|------------|-------|-----|
|-----|-----------|------------|-------|-----|



| ☉⇒          | Description                 | Manf. Pt. N | Type | <div style="display: flex; justify-content: space-between; font-size: small;"> <span>ALTEA ONE 24</span> <span>ALTEA ONE 30</span> <span>ALTEA ONE 35</span> <span>GENUS ONE (NET) 24</span> <span>GENUS ONE (NET) 30</span> <span>GENUS ONE (NET) 35</span> <span>GENUS ONE SY/ST 12</span> <span>GENUS ONE SY/ST 18</span> <span>GENUS ONE SY/ST 24</span> <span>GENUS ONE SY/ST 30</span> </div> |   |   |   |   |   |   |   |   |    |    |    |    |    |    |    |    |    | From | to |
|-------------|-----------------------------|-------------|------|---|---|---|---|---|---|---|---|---|----|----|----|----|----|----|----|----|----|------|----|
|             |                             |             |      | 1   | 2 | 3 | 4 | 5 | 6 | 7 | 8 | 9 | 10 | 11 | 12 | 13 | 14 | 15 | 16 | 17 | 18 |      |    |
| <b>0100</b> | <b>BURNER ASSEMBLY</b>      |             |      |   |   |   |   |   |   |   |   |   |    |    |    |    |    |    |    |    |    |      |    |
| 0101        | IGNITION ELECTRODE          | 65116556    |      | ●   | ● | ● | ● | ● | ● | ● | ● | ● | ●  | ●  | ●  | ●  | ●  | ●  | ●  |    |    |      |    |
| 0110        | INSULATION (FRONT PANEL)    | 65116512    |      | ●   | ● | ● | ● | ● | ● | ● | ● | ● | ●  | ●  | ●  | ●  | ●  | ●  | ●  |    |    |      |    |
| 0111        | EXCHANGER 24KW              | 65116695    |      | ●   |   |   | ● |   |   | ● | ● | ● |    |    |    |    |    |    |    |    |    |      |    |
|             | EXCHANGER 30KW              | 65116696    |      |   | ● |   |   | ● |   |   |   | ● |    |    |    |    |    |    |    |    |    |      |    |
|             | EXCHANGER 35KW              | 65116697    |      |   |   | ● |   |   | ● |   |   |   |    |    | ●  |    |    |    |    |    |    |      |    |
| 0114        | BURNER 24KW                 | 65116514    |      | ●   |   |   | ● |   |   | ● | ● | ● |    |    |    |    |    |    |    |    |    |      |    |
|             | BURNER 30kW                 | 65116561    |      |   | ● |   |   | ● |   |   |   |   |    |    | ●  |    |    |    |    |    |    |      |    |
|             | BURNER 35KW                 | 65116573    |      |   |   | ● |   |   | ● |   |   |   |    |    |    |    |    | ●  |    |    |    |      |    |
| 0116        | DOOR ASSY                   | 65116515    |      | ●   | ● | ● | ● | ● | ● | ● | ● | ● | ●  | ●  | ●  | ●  | ●  | ●  | ●  |    |    |      |    |
| 0117        | CONDENSATE TRAP             | 65116516    |      | ●   | ● | ● | ● | ● | ● | ● | ● | ● | ●  | ●  | ●  | ●  | ●  | ●  | ●  |    |    |      |    |
| 0120        | PANEL (INSULATION - REAR)   | 65116047    |      | ●   | ● | ● | ● | ● | ● | ● | ● | ● | ●  | ●  | ●  | ●  | ●  | ●  | ●  |    |    |      |    |
| 0122        | CLIP                        | 65116517    |      | ●   | ● | ● | ● | ● | ● | ● | ● | ● | ●  | ●  | ●  | ●  | ●  | ●  | ●  |    |    |      |    |
| 0123        | AIR VENT                    | 65116518    |      | ●   | ● | ● | ● | ● | ● | ● | ● | ● | ●  | ●  | ●  | ●  | ●  | ●  | ●  |    |    |      |    |
| 0124        | TEMPERATURE PROBE + CLIP    | 990686-01   |      | ●   | ● | ● | ● | ● | ● | ● | ● | ● | ●  | ●  | ●  | ●  | ●  | ●  | ●  |    |    |      |    |
| 0150        | TUBE PVC D:19 L:500         | 60000976    |      | ●   | ● | ● | ● | ● | ● | ● | ● | ● | ●  | ●  | ●  | ●  | ●  | ●  | ●  |    |    |      |    |
| 0151        | FLEXIBLE PIPE               | 65116519    |      | ●   | ● | ● | ● | ● | ● | ● | ● | ● | ●  | ●  | ●  | ●  | ●  | ●  | ●  |    |    |      |    |
| 0152        | CONNECTION Y +TUBES         | 65117078    |      | ●   | ● | ● | ● | ● | ● | ● | ● | ● | ●  | ●  | ●  | ●  | ●  | ●  | ●  |    |    |      |    |
| 0171        | GASKET                      | 65116521    |      | ●   | ● | ● | ● | ● | ● | ● | ● | ● | ●  | ●  | ●  | ●  | ●  | ●  | ●  |    |    |      |    |
| 0172        | GASKET (IGNITION ELECTRODE) | 65116263    |      | ●   | ● | ● | ● | ● | ● | ● | ● | ● | ●  | ●  | ●  | ●  | ●  | ●  | ●  |    |    |      |    |
| 0173        | DOOR GASKET                 | 60000623    |      | ●   | ● | ● | ● | ● | ● | ● | ● | ● | ●  | ●  | ●  | ●  | ●  | ●  | ●  |    |    |      |    |
| 0178        | O-RING 17.86X2.62           | 61308091    |      | ●   | ● | ● | ● | ● | ● | ● | ● | ● | ●  | ●  | ●  | ●  | ●  | ●  | ●  |    |    |      |    |
| 0179        | O-RING 18X2,8               | 65116846    |      | ●   | ● | ● | ● | ● | ● | ● | ● | ● | ●  | ●  | ●  | ●  | ●  | ●  | ●  |    |    |      |    |
| <b>0200</b> | <b>GAS SECTION</b>          |             |      |   |   |   |   |   |   |   |   |   |    |    |    |    |    |    |    |    |    |      |    |
| 0201        | GAS VALVE                   | 65116557    |      | ●   | ● | ● | ● | ● | ● | ● | ● | ● | ●  | ●  | ●  | ●  | ●  | ●  | ●  |    |    |      |    |
| 0202        | FAN                         | 65116558    |      | ●   | ● | ● | ● | ● | ● | ● | ● | ● | ●  | ●  | ●  | ●  | ●  | ●  | ●  |    |    |      |    |
| 0208        | GAS DIAPHRAGM D: 3.3 mm     | 65116893    |      |   |   |   |   |   |   |   |   | ● |    |    |    |    |    |    |    |    |    |      |    |
|             | GAS DIAPHRAGM D: 5.6 mm     | 65116525    |      | ●   |   |   | ● |   |   |   |   | ● | ●  |    |    |    |    |    |    |    |    |      |    |
|             | GAS DIAPHRAGM D: 6.0 mm     | 65116562    |      |   | ● |   |   | ● |   |   |   |   |    |    | ●  |    |    |    |    |    |    |      |    |
|             | GAS DIAPHRAGM D: 6.3 mm     | 65116575    |      |   |   | ● |   |   | ● |   |   |   |    |    |    |    |    | ●  |    |    |    |      |    |
| 0211        | VENTURI                     | 65116524    |      | ●   | ● | ● | ● | ● | ● | ● | ● | ● | ●  | ●  | ●  | ●  | ●  | ●  | ●  |    |    |      |    |
| 0213        | SILENCER 12 KW              | 65116816    |      |   |   |   |   |   |   |   |   | ● |    |    |    |    |    |    |    |    |    |      |    |
|             | SILENCER 24-30 KW           | 65116526    |      | ●   | ● |   | ● | ● |   |   |   | ● | ●  | ●  |    |    |    |    |    |    |    |      |    |
|             | SILENCER 35 KW              | 65116576    |      |   |   | ● |   |   | ● |   |   |   |    |    |    |    |    | ●  |    |    |    |      |    |
| 0214        | GAS PIPE 24KW               | 65116527    |      | ●   |   |   | ● |   |   | ● | ● | ● |    |    |    |    |    |    |    |    |    |      |    |
|             | GAS PIPE 30KW               | 65116563    |      |   | ● |   |   | ● |   |   |   |   |    |    |    |    |    | ●  |    |    |    |      |    |
|             | GAS PIPE 35KW               | 65116577    |      |   |   | ● |   |   | ● |   |   |   |    |    |    |    |    |    | ●  |    |    |      |    |
| 0217        | UNION (3/4")                | 65114929    |      | ●   | ● | ● | ● | ● | ● | ● | ● | ● | ●  | ●  | ●  | ●  | ●  | ●  | ●  |    |    |      |    |
| 0218        | UNION (1/2")                | 65114930    |      | ●   | ● | ● | ● | ● | ● | ● | ● | ● | ●  | ●  | ●  | ●  | ●  | ●  | ●  |    |    |      |    |
| 0223        | DRAIN SCREW                 | 65116528    |      | ●   | ● | ● | ● | ● | ● | ● | ● | ● | ●  | ●  | ●  | ●  | ●  | ●  | ●  |    |    |      |    |
| 0261        | CLIP                        | 65116529    |      | ●   | ● | ● | ● | ● | ● | ● | ● | ● | ●  | ●  | ●  | ●  | ●  | ●  | ●  |    |    |      |    |
| 0271        | FAN GASKET                  | 65116530    |      | ●   | ● | ● | ● | ● | ● | ● | ● | ● | ●  | ●  | ●  | ●  | ●  | ●  | ●  |    |    |      |    |
| 0282        | SHEET GASKET D: 24-18.2-1.5 | 60022835-01 |      | ●   | ● | ● | ● | ● | ● | ● | ● | ● | ●  | ●  | ●  | ●  | ●  | ●  | ●  |    |    |      |    |
| 0283        | O-RING 17,86X2,62           | 60002766    |      | ●   | ● | ● | ● | ● | ● | ● | ● | ● | ●  | ●  | ●  | ●  | ●  | ●  | ●  |    |    |      |    |
| 0286        | GASKET                      | 60001878    |      | ●   | ● | ● | ● | ● | ● | ● | ● | ● | ●  | ●  | ●  | ●  | ●  | ●  | ●  |    |    |      |    |
| <b>0300</b> | <b>FAN ASSEMBLY</b>         |             |      |   |   |   |   |   |   |   |   |   |    |    |    |    |    |    |    |    |    |      |    |
| 0310        | CASE COVER ASSY             | 65116531    |      | ●   |   |   | ● |   |   | ● | ● | ● |    |    |    |    |    |    |    |    |    |      |    |
|             | CASE COVER ASSY             | 65116564    |      |   | ● | ● |   | ● | ● |   |   |   |    |    | ●  | ●  |    |    |    |    |    |      |    |
| 0312        | FLUE INTAKE PLUG            | 65104295    |      | ●   | ● | ● | ● | ● | ● | ● | ● | ● | ●  | ●  | ●  | ●  | ●  | ●  | ●  |    |    |      |    |
| 0315        | SPLASH PREVENTER            | 65116536    |      | ●   | ● | ● | ● | ● | ● | ● | ● | ● | ●  | ●  | ●  | ●  | ●  | ●  | ●  |    |    |      |    |
| 0370        | SEALING RING 80mm           | 60002815    |      | ●   | ● | ● | ● | ● | ● | ● | ● | ● | ●  | ●  | ●  | ●  | ●  | ●  | ●  |    |    |      |    |
| 0371        | GASKET                      | 60000316    |      | ●   | ● | ● | ● | ● | ● | ● | ● | ● | ●  | ●  | ●  | ●  | ●  | ●  | ●  |    |    |      |    |
| <b>0400</b> | <b>SEALED CASE</b>          |             |      |   |   |   |   |   |   |   |   |   |    |    |    |    |    |    |    |    |    |      |    |
| 0401        | EXPANSION VESSEL 8L         | 65104261    |      | ●   | ● | ● | ● | ● | ● | ● | ● | ● | ●  | ●  | ●  | ●  | ●  | ●  | ●  |    |    |      |    |
| 0415        | SIDE PANELS LEFT + RIGHT    | 65116532    |      | ●   |   |   |   |   |   |   |   |   |    |    |    |    |    |    |    |    |    |      |    |
|             | SIDE PANELS LEFT + RIGHT    | 65116565    |      |   | ● | ● |   |   |   |   |   |   |    |    |    |    |    |    |    |    |    |      |    |
|             | SIDE PANELS LEFT + RIGHT    | 65116567    |      |   |   |   | ● |   |   | ● | ● | ● |    |    |    |    |    |    |    |    |    |      |    |
|             | SIDE PANELS LEFT + RIGHT    | 65116571    |      |   |   |   |   | ● | ● |   |   |   |    |    | ●  | ●  |    |    |    |    |    |      |    |
| 0417        | CASE PANEL (FRONT)          | 65116533    |      | ●   | ● | ● |   |   |   |   |   |   |    |    |    |    |    |    |    |    |    |      |    |
|             | CASE PANEL (FRONT)          | 65116568    |      |   |   |   | ● | ● | ● | ● | ● | ● | ●  | ●  | ●  | ●  | ●  | ●  | ●  |    |    |      |    |
| 0420        | EXPANSION VESSEL SUPPORT    | 65116534    |      | ●   | ● | ● | ● | ● | ● | ● | ● | ● | ●  | ●  | ●  | ●  | ●  | ●  | ●  |    |    |      |    |
| 0423        | PLATE WIRE BOX 18-24 KW     | 65116535    |      | ●   |   |   | ● |   |   |   |   | ● | ●  | ●  |    |    |    |    |    |    |    |      |    |
|             | PLATE WIRE BOX 30-35KW      | 65116566    |      |   | ● | ● |   | ● | ● |   |   |   |    |    | ●  | ●  |    |    |    |    |    |      |    |

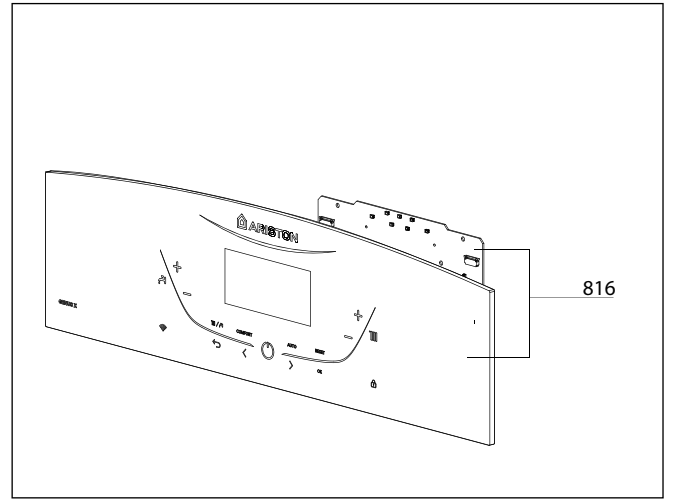
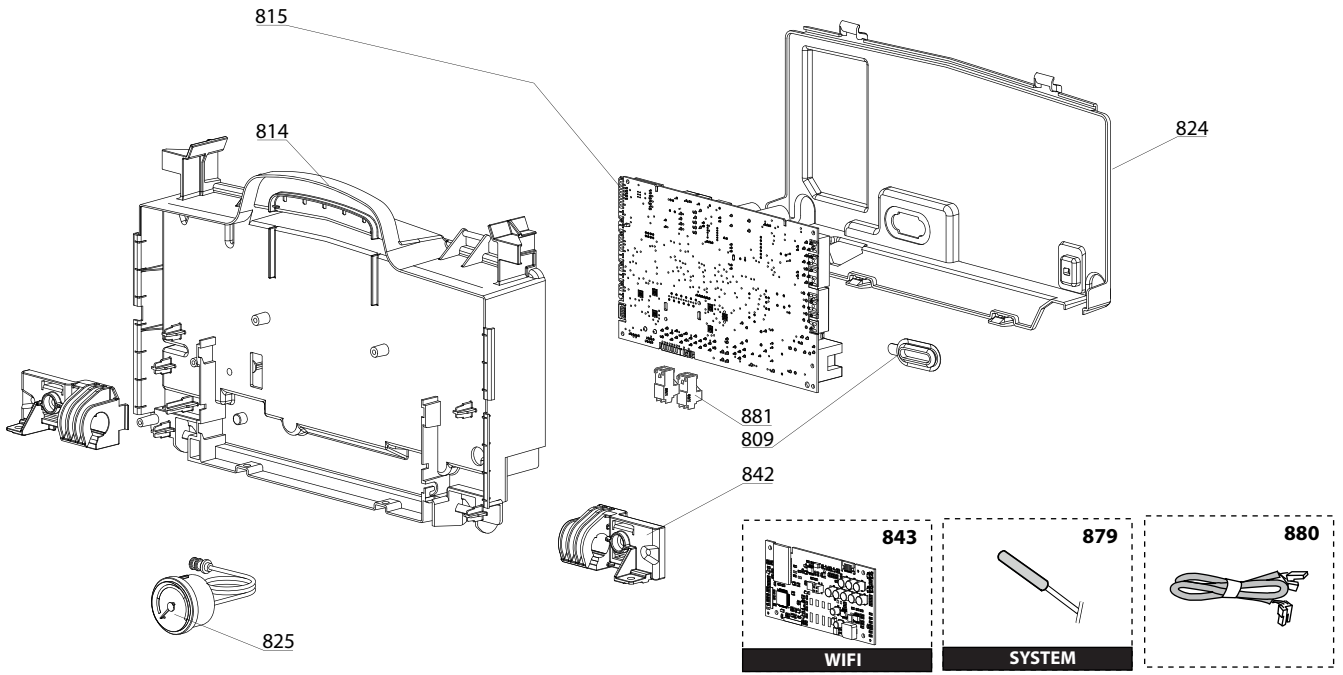


| ☉⇒          | Description                     | Manf. Pt. N | Type | <div style="display: flex; justify-content: space-between; font-size: small; transform: rotate(-45deg);"> <span>ALTEA ONE 24</span> <span>ALTEA ONE 30</span> <span>GENIUS ONE 35</span> <span>GENIUS ONE (NET) 24</span> <span>GENIUS ONE (NET) 30</span> <span>GENIUS ONE (NET) 35</span> <span>GENIUS ONE SYST. 12</span> <span>GENIUS ONE SYST. 18</span> <span>GENIUS ONE SYST. 24</span> <span>GENIUS ONE SYST. 30</span> <span>GENIUS ONE SYST. 35</span> </div> |   |   |   |   |   |   |   |   |    |    |    |    |    |    |    |    |    | <div style="border: 1px solid black; padding: 2px; display: inline-block;">31</div> |    |
|-------------|---------------------------------|-------------|------|---|---|---|---|---|---|---|---|---|----|----|----|----|----|----|----|----|----|---|----|
|             |                                 |             |      | 1   | 2 | 3 | 4 | 5 | 6 | 7 | 8 | 9 | 10 | 11 | 12 | 13 | 14 | 15 | 16 | 17 | 18 | From  | to |
| <b>0500</b> | <b>FLOW GROUP</b>               |             |      |   |   |   |   |   |   |   |   |   |    |    |    |    |    |    |    |    |    |   |    |
| 0501        | FLOW GROUP                      | 65115933    |      | ●   | ● | ● | ● | ● | ● | ● | ● | ● | ●  | ●  | ●  | ●  | ●  | ●  | ●  | ●  |    |   |    |
| 0503        | PRESSURE RELIEF VALVE (3 BAR)   | 61312668    |      | ●   | ● | ● | ● | ● | ● | ● | ● | ● | ●  | ●  | ●  | ●  | ●  | ●  | ●  | ●  |    |   |    |
| 0507        | SANITARY HEAT EXCHANGER (16 P.) | 65116537    |      | ●   | ● | ● | ● | ● | ● | ● | ● | ● | ●  | ●  | ●  | ●  | ●  | ●  | ●  | ●  |    |   |    |
| 0514        | BY-PASS                         | 65114917    |      | ●   | ● | ● | ● | ● | ● | ● | ● | ● | ●  | ●  | ●  | ●  | ●  | ●  | ●  | ●  |    |   |    |
| 0519        | INTERFACE 'System +' Open       | 60001365    |      |   |   |   |   |   |   |   |   | ● | ●  | ●  | ●  | ●  | ●  | ●  | ●  | ●  |    |   |    |
| 0521        | HYDRAULIC SUPPORT BRACKET       | 65116538    |      | ●   | ● | ● | ● | ● | ● | ● | ● | ● | ●  | ●  | ●  | ●  | ●  | ●  | ●  | ●  |    |   |    |
| 0550        | PIPE (SAFETY VALVE OUTLET)      | 60001955    |      | ●   | ● | ● | ● | ● | ● | ● | ● | ● | ●  | ●  | ●  | ●  | ●  | ●  | ●  | ●  |    |   |    |
| 0551        | PIPE (C.H. FLOW) 24KW           | 65116539    |      | ●   |   |   | ● |   |   |   | ● | ● | ●  |    |    |    |    |    |    |    |    |   |    |
|             | PIPE (C.H. FLOW) 30KW           | 65116569    |      |   | ● |   |   | ● |   |   |   | ● |    |    |    |    |    |    |    |    |    |   |    |
|             | PIPE (C.H. FLOW) 35KW           | 65116578    |      |   |   | ● |   |   | ● |   |   |   |    |    |    |    |    |    |    | ●  |    |   |    |
| 0557        | PIPE                            | 65115935    |      |   |   |   |   |   |   |   |   | ● | ●  | ●  | ●  | ●  | ●  | ●  | ●  | ●  |    |   |    |
| 0560        | CLIP                            | 65114933    |      | ●   | ● | ● | ● | ● | ● | ● | ● | ● | ●  | ●  | ●  | ●  | ●  | ●  | ●  | ●  |    |   |    |
| 0561        | CLIP                            | 61307589    |      | ●   | ● | ● | ● | ● | ● | ● | ● | ● | ●  | ●  | ●  | ●  | ●  | ●  | ●  | ●  |    |   |    |
| 0562        | CLIP D:18                       | 65104259    |      | ●   | ● | ● | ● | ● | ● | ● | ● | ● | ●  | ●  | ●  | ●  | ●  | ●  | ●  | ●  |    |   |    |
| 0563        | CLIP                            | 65114932    |      | ●   | ● | ● | ● | ● | ● | ● | ● | ● | ●  | ●  | ●  | ●  | ●  | ●  | ●  | ●  |    |   |    |
| 0565        | CLIP                            | 60000309    |      | ●   | ● | ● | ● | ● | ● | ● | ● | ● | ●  | ●  | ●  | ●  | ●  | ●  | ●  | ●  |    |   |    |
| 0581        | O-RING 17.96X2.62               | 65104337    |      | ●   | ● | ● | ● | ● | ● | ● | ● | ● | ●  | ●  | ●  | ●  | ●  | ●  | ●  | ●  |    |   |    |
| 0582        | O-RING 17.86X2.62               | 61308091    |      | ●   | ● | ● | ● | ● | ● | ● | ● | ● | ●  | ●  | ●  | ●  | ●  | ●  | ●  | ●  |    |   |    |
| 0585        | O-RING 17.04X3.53               | 65104262    |      | ●   | ● | ● | ● | ● | ● | ● | ● | ● | ●  | ●  | ●  | ●  | ●  | ●  | ●  | ●  |    |   |    |
| 0588        | EXCHANGER GASKET                | 65114928    |      | ●   | ● | ● | ● | ● | ● | ● | ● | ● | ●  | ●  | ●  | ●  | ●  | ●  | ●  | ●  |    |   |    |
| 0590        | O-RING 11.91X2.62               | 65114940    |      | ●   | ● | ● | ● | ● | ● | ● | ● | ● | ●  | ●  | ●  | ●  | ●  | ●  | ●  | ●  |    |   |    |

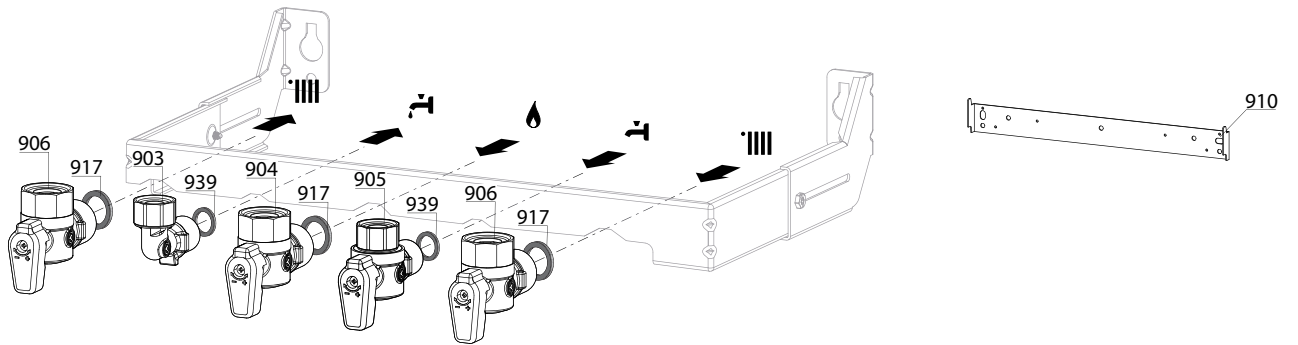




800



900



5000

**5001**  
 Transf. gaz  
 Conv. gas  
 Trasn. gas  
 Transf. gas

**5020**  
 Options  
 Accessories  
 Opzioni  
 Accessorio



| ☺⇒          | Description                         | Manf. Pt. N | Type | <div style="display: flex; justify-content: space-between; font-size: small;"> <span>ALTEA ONE 24</span> <span>ALTEA ONE 30</span> <span>GENIUS ONE 35</span> <span>GENIUS ONE (NET) 24</span> <span>GENIUS ONE (NET) 30</span> <span>GENIUS ONE (NET) 35</span> <span>GENIUS ONE SYST. 12</span> <span>GENIUS ONE SYST. 18</span> <span>GENIUS ONE SYST. 24</span> <span>GENIUS ONE SYST. 30</span> <span>GENIUS ONE SYST. 35</span> </div> |   |   |   |   |   |   |   |   |    |    |    |    |    |    |    |    |    | From | to |
|-------------|-------------------------------------|-------------|------|--|---|---|---|---|---|---|---|---|----|----|----|----|----|----|----|----|----|------|----|
|             |                                     |             |      | 1  | 2 | 3 | 4 | 5 | 6 | 7 | 8 | 9 | 10 | 11 | 12 | 13 | 14 | 15 | 16 | 17 | 18 |      |    |
| <b>0800</b> | <b>ELECTRICAL BOX</b>               |             |      |  |   |   |   |   |   |   |   |   |    |    |    |    |    |    |    |    |    |      |    |
| 0809        | GROMMET (REGULATION ACCESS)         | 998382      |      | ●  | ● | ● | ● | ● | ● | ● | ● | ● | ●  | ●  | ●  | ●  | ●  | ●  | ●  |    |    |      |    |
| 0814        | CONTROL PANEL COVER (FRONT)         | 65116544    |      | ●  | ● | ● | ● | ● | ● | ● | ● | ● | ●  | ●  | ●  | ●  | ●  | ●  | ●  |    |    |      |    |
| 0815        | P.C.B. (MAIN)                       | 65116545    |      | ●  | ● | ● | ● | ● | ● | ● | ● | ● | ●  | ●  | ●  | ●  | ●  | ●  | ●  |    |    |      |    |
| 0816        | P.C.B. (DISPLAY)                    | 65116788    |      |  |   |   | ● | ● | ● | ● | ● | ● | ●  | ●  | ●  | ●  | ●  | ●  | ●  |    |    |      |    |
|             | P.C.B. (DISPLAY)                    | 65116789    |      | ●  | ● | ● |   |   |   |   |   |   |    |    |    |    |    |    |    |    |    |      |    |
| 0824        | CONTROL PANEL COVER (REAR)          | 65116547    |      | ●  | ● | ● | ● | ● | ● | ● | ● | ● | ●  | ●  | ●  | ●  | ●  | ●  | ●  |    |    |      |    |
| 0825        | PRESSURE GAUGE                      | 65114200    |      | ●  | ● | ● | ● | ● | ● | ● | ● | ● | ●  | ●  | ●  | ●  | ●  | ●  | ●  |    |    |      |    |
| 0842        | SIDE COVER SUPPORT                  | 65116548    |      | ●  | ● | ● | ● | ● | ● | ● | ● | ● | ●  | ●  | ●  | ●  | ●  | ●  | ●  |    |    |      |    |
| 0843        | WI-FI BOARD                         | 65115825    |      | ●  | ● | ● |   |   |   |   |   |   |    |    |    |    |    |    |    |    |    |      |    |
| 0879        | BOILER THERMISTOR TEMP. SENSOR      | 60000454    |      |  |   |   |   |   |   | ● | ● | ● | ●  | ●  | ●  | ●  | ●  | ●  |    |    |    |      |    |
| 0880        | 3-WAY VALVE CABLE                   | 65116584    |      | ●  | ● | ● | ● | ● | ● |   |   |   |    |    |    |    |    |    |    |    |    |      |    |
|             | 3-WAY VALVE CABLE                   | 65116815    |      |  |   |   |   |   |   | ● | ● | ● | ●  | ●  | ●  | ●  | ●  | ●  |    |    |    |      |    |
|             | CABLE (FAN)                         | 65116579    |      | ●  | ● | ● | ● | ● | ● | ● | ● | ● | ●  | ●  | ●  | ●  | ●  | ●  | ●  |    |    |      |    |
|             | CABLE (IGNITION ELECTRODE)          | 65116583    |      | ●  | ● | ● | ● | ● | ● | ● | ● | ● | ●  | ●  | ●  | ●  | ●  | ●  | ●  |    |    |      |    |
|             | DISPLAY WIRING - 5 WIRES BLUES      | 60000746    |      | ●  | ● | ● | ● | ● | ● | ● | ● | ● | ●  | ●  | ●  | ●  | ●  | ●  | ●  |    |    |      |    |
|             | EARTH WIRE                          | 65104286    |      | ●  | ● | ● | ● | ● | ● | ● | ● | ● | ●  | ●  | ●  | ●  | ●  | ●  | ●  |    |    |      |    |
|             | FEEDER 240V                         | 60001619    |      | ●  | ● | ● | ● | ● | ● | ● | ● | ● | ●  | ●  | ●  | ●  | ●  | ●  | ●  |    |    |      |    |
|             | GAS VALVE CABLE                     | 65116580    |      | ●  | ● | ● | ● | ● | ● | ● | ● | ● | ●  | ●  | ●  | ●  | ●  | ●  | ●  |    |    |      |    |
|             | NTC CABLE                           | 65116717    |      | ●  | ● | ● | ● | ● | ● | ● | ● | ● | ●  | ●  | ●  | ●  | ●  | ●  | ●  |    |    |      |    |
|             | PUMP CABLE TACO                     | 65117069    | TACO | ●  | ● | ● | ● | ● | ● | ● | ● | ● | ●  | ●  | ●  | ●  | ●  | ●  | ●  |    |    |      |    |
|             | WIRING (WI-FI BOARD)                | 65115826    |      | ●  | ● | ● |   |   |   |   |   |   |    |    |    |    |    |    |    |    |    |      |    |
| 0881        | CONNECTOR 2P                        | 65111933    |      | ●  | ● | ● | ● | ● | ● | ● | ● | ● | ●  | ●  | ●  | ●  | ●  | ●  | ●  |    |    |      |    |
|             | CONNECTOR 3P (x5)                   | 65111934-01 |      | ●  | ● | ● | ● | ● | ● | ● | ● | ● | ●  | ●  | ●  | ●  | ●  | ●  | ●  |    |    |      |    |
| <b>0900</b> | <b>JIG PLATE &amp; PIPE FITTING</b> |             |      |  |   |   |   |   |   |   |   |   |    |    |    |    |    |    |    |    |    |      |    |
| 0903        | HOT WATER CONNECTION                | 60000891    |      | ●  | ● | ● | ● | ● | ● | ● | ● | ● | ●  | ●  | ●  | ●  | ●  | ●  | ●  |    |    |      |    |
| 0904        | GAS SERVICE TAP                     | 60000898    |      | ●  | ● | ● | ● | ● | ● | ● | ● | ● | ●  | ●  | ●  | ●  | ●  | ●  | ●  |    |    |      |    |
| 0905        | COLD WATER TAP                      | 60000895    |      | ●  | ● | ● | ● | ● | ● | ● | ● | ● | ●  | ●  | ●  | ●  | ●  | ●  | ●  |    |    |      |    |
| 0906        | WATER FLOW & RETURN SERVI. TAP      | 60000885    |      | ●  | ● | ● | ● | ● | ● | ● | ● | ● | ●  | ●  | ●  | ●  | ●  | ●  | ●  |    |    |      |    |
| 0910        | WALL HOOK                           | 60000625    |      | ●  | ● | ● | ● | ● | ● | ● | ● | ● | ●  | ●  | ●  | ●  | ●  | ●  | ●  |    |    |      |    |
| 0917        | SHEET GASKET D: 24-17-1.5           | 60061855-19 |      | ●  | ● | ● | ● | ● | ● | ● | ● | ● | ●  | ●  | ●  | ●  | ●  | ●  | ●  |    |    |      |    |
| 0939        | SHEET GASKET D: 16.5-11-1.5         | 60061854-14 |      | ●  | ● | ● | ● | ● | ● | ● | ● | ● | ●  | ●  | ●  | ●  | ●  | ●  | ●  |    |    |      |    |
| <b>5000</b> | <b>ACCESSORIES</b>                  |             |      |  |   |   |   |   |   |   |   |   |    |    |    |    |    |    |    |    |    |      |    |
| 5001        | BURNER JET FULL KIT G20 G30/31 G230 | 65117074    |      | ●  | ● | ● | ● | ● | ● | ● | ● | ● | ●  | ●  | ●  | ●  | ●  | ●  | ●  |    |    |      |    |
| 5020        | KIT THERMOREGULATION                | 65116718    |      | ●  | ● | ● | ● | ● | ● |   |   |   |    |    |    |    |    |    |    |    |    |      |    |

## LIST OF THE ABBREVIATIONS

|             |  |
|-------------|--|
| HW .....    | : Hot water.                                   |
| CW .....    | : Cold water.                                  |
| C .....     | : Ceramic resistance (normal heating).         |
| Ca .....    | : Ceramic resistance (accelerated heating)     |
| TP .....    | : Immersion heater.                            |
| 1F .....    | : With fittings.                               |
| 2F .....    | : Without fittings.                            |
| 3F .....    | : With fittings and another outlet connection. |
| AMI .....   | : With mixing valve.                           |
| SMI .....   | : Without mixing valve.                        |
| PUISS ..... | : Power of th appliance.                       |
| PN .....    | : Appliance with normal pression.              |
| LP .....    | : Appliance with low pression.                 |
| PV .....    | : Appliance with variable power.               |
| PF .....    | : Appliance with fixed power.                  |

## IDENTIFICATION PLATE

### SERIAL NUMBER

10 Characters :

04 05 125 011  
 Year of manufacture    Manufacturing day    Sequential number

11 Characters :

1 95 065004 - 31  
 Month of manufacture : from 1 to 9 → Jan. to Sep.,  
 O → Oct., N → Nov.,  
 D → Dec.    Technical number of the appliance  
 Sequential number  
 Year of manufacture

19 Characters :

08 05 0013199 900640031  
 Year of manufacture    Month of manufacture    Product reference  
 Sequential number

20 Characters :

3675007 XX 2 07 070 00315  
 Product reference    Millennium of manufacture    Manufacturing day    Sequential number  
 Year of manufacture

21 Characters :

3675007 XX 07 070 0000315  
 Product reference    Year of manufacture    Sequential number  
 Manufacturing day